

High-performance Cloud Magnetic PoE In Gateway

WI-ER205



Overview

Wi-Tek's gateway is an intelligent network device integrating AP management system and gateway features. WI-ER205 supports magnetic installation and is featured with compact design, making on-site deployment more flexible. It supports Ethernet connection up to 1Gbps on WAN and LAN ports, which provide high-speed wired network. It is featured with multiple VPN protocols, multi-WAN, abundant security strategies, behavior management and other enterprise-level function, making it an idea choice for many application scenarios such as hotel, office and SMB network. In addition, the gateway supports cloud management. Users can quickly complete network device configuration, remote management as well as maintenance, greatly reducing equipment costs, labor costs, and time costs for wireless network construction.

Features

Built-in AP management system

With built-in AP management system, Wi-Tek's gateway can realize unified management and configuration for multiple APs, enhancing the working efficiency and saving much time.

Multi-WAN Load Balancing

Multi-WAN load balancing allocates data streams based on the bandwidth ratio of every WAN port, which increases the utilization rate of multi-line broadband.

Magnetic Installation for Flexible Deployment

WI-ER205 supports magnetic installation and is featured with compact design, making on-site deployment more flexible.

802.3af/at PoE Input

Supporting the 802.3af/at PoE Input, which makes network deployment easier and more flexible.

Multiple VPN Protocols

The gateway supports multiple VPN protocols including OpenVPN/ IPsec/ PPTP/ L2TP, offering flexible choices to create VPN connection.

Abundant Security Strategies

The gateway integrates abundant security strategies such as ACL, DHCP static assignment, MAC address filtering dynamic ARP, static ARP binding and NAT, ensuring a highly-secure network environment.

Cloud Management

Wi-Tek Cloud's quick installation and configuration provide reliable performance, visual management, which is easy to operate and maintain and remote access.

Specifications



Model		WI-ER205
Hardware Features		
Interface		1*10/100/1000Mbps RJ45 PoE+ IN LAN Port 3*10/100/1000Mbps RJ45 LAN/WAN Ports 1*10/100/1000Mbps RJ45 WAN Port 1*USB 2.0 Port (Supports USB Tethering over Android Smart Phone)
Memory		RAM: 256MB Flash: 16MB
AP Unified Configuration		32APs
Recommended Bandwidth	Dyamic IP	Upload: 922 Mbps Download: 922 Mbps
	Static IP	Upload: 925 Mbps Download: 925 Mbps
	PPPoE	Upload: 930 Mbps Download: 930 Mbps
Power Supply		802.3af/at PoE IN or Type-C IN 5V/3A
Power Consumption (max)		5W
Software Features		
Network Access		PPPoE Dial-up DHCP Client Static IP
Routing		Static Routing Policy-based Routing Carrier Address Routing Active/Standby Mode Load Balancing Based on Source Address Flow-based Load Balancing Port-based Weighted load balancing of data streams



Model	WI-ER205
Security	ACL DHCP Static Assignment MAC Address Filtering Dynamic ARP Static ARP Binding NAT Port Mapping
Application Recognition	Support WAN Load Balancing Supports the ONVIF Protocol Support 802.1Q VLAN TAG Support SD-LAN
Flow Control	Support Custom Flow Control Policies IP-based Automatic Bandwidth Assignment
Traffic Audit	Real-time traffic audit IP Traffic Visualization
Authentication	Captive Portal: One Key Auth Pre-Shared Password Local User Auth Voucher, SMS Auth RADIUS Auth
VPN	OpenVPN PPTP L2TP IPsec
Behavior Management	Time-based and IP policy-based access control Website Filtering

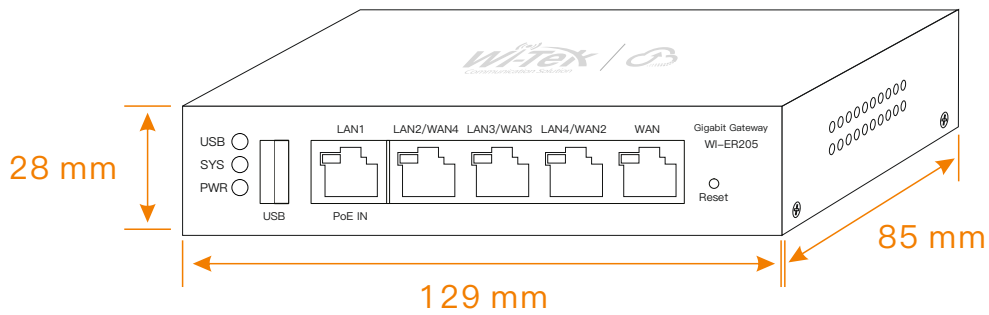


Model	WI-ER205
AP Management	<ul style="list-style-type: none"> Support Auto AP Discovery RF Optimization Batch Configuration Overview View Multi-SSID Configuration SSID Hiding Channel Setting Tx power Setting AP Online Upgrade STA blacklist and whitelist
Other Protocols	<ul style="list-style-type: none"> DHCP Server DHCP Client DHCP Option43/138 DNS Server DDNS
Management	<ul style="list-style-type: none"> Support Local Management with Web Support Remote Management with Wi-Tek Cloud
Others	
Product Dimensions	129*85*28mm
Product Weight	0.25kg
Package Weight	0.51kg
Environment	<ul style="list-style-type: none"> Operating Temperature: -20°C ~ 50°C(-4°F ~ 122°F) Storage Temperature: -40°C ~ 70°C(-40°F ~ 158°F) Operating Humidity: 5% ~ 95% (non-condensing) Storage Humidity: 5% ~ 95% (non-condensing)
Certification	CE, FCC, RoHS, UKCA, RCM

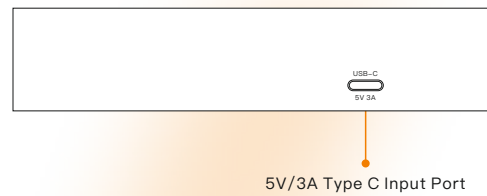
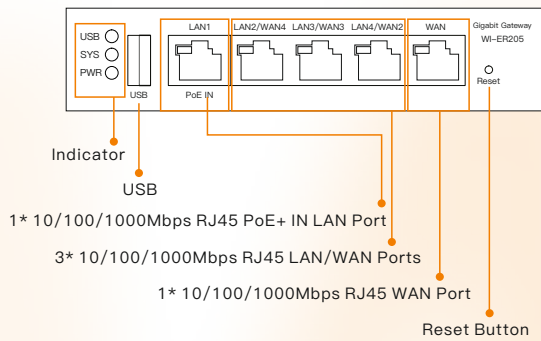
Appearances and Dimensions

WI-ER205

Dimensions (mm)



Front Panel Back Panel



Package Contents

Welcome to order our products. After purchasing, you will receive:

Items	Quantity
AC Gateway	1 pcs
Ethernet Cable	1 pcs
Power Adapter	1 pcs
Magnetic Accessory	4 pcs
Quick Installation Guide	1 pcs



Wireless-Tek Technology Limited

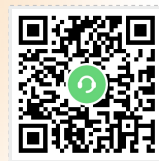
Address: Building 3, Units 1801-1807, 1812, Huaqiang Era Plaza, Tangwei Community, Fuhai Street, Bao'an District, Shenzhen City, Guangdong Province, China.

Website: www.wireless-tek.com

Tel: 86-0755-32811290

Email: sales@wireless-tek.com

Technical Support: tech@wireless-tek.com



Technical Support



Cloud Management



Company Website